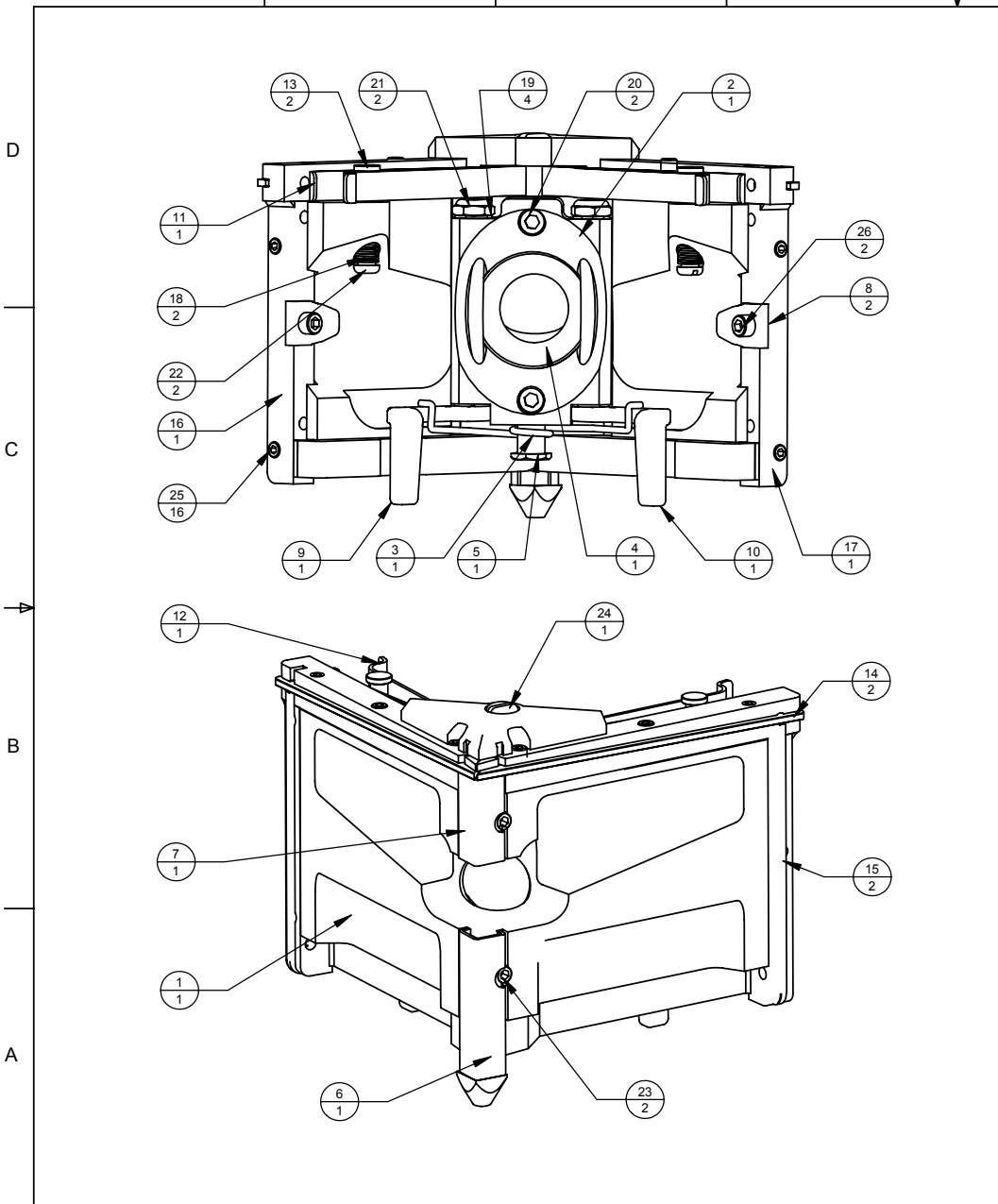



8 7 6 5 4 3 2 1



ITEM	QTY.	PART NO.	DESCRIPTION
1	1	AH-1-3.5	3.5" BODY
2	1	AH-2	BALL LOCK RECEIVER
3	1	AH-5	BALL LOCK SPRING
4	1	AH-6	BALL SOCKET INSERT
5	1	AH-7	6-32x3/16 LG HEX HEAD CUSTOM SCREW
6	1	AH-8	REAR BULLET ASSY
7	1	AH-9	FRONT CLIP
8	2	AH-10	FRAME STOP
9	1	AH-11-LH	PIN-ARM LOCK-LEFT HAND
10	1	AH-11-RH	PIN-ARM LOCK-RIGHT HAND
11	1	AH-31	INSIDE LEAF SPRING
12	1	AH-32	UPPER LEAF SPRING
13	2	AH-33	SPRING ADJUSTMENT PIN
14	2	AH-34	3.5" BLADE
15	2	AH-35	SKID BLADE
16	1	AH-36-LH	FRAME ASSY-LEFT HAND
17	1	AH-36-RH	FRAME ASSY-RIGHT HAND
18	2	AH-37	PIN SPRING
19	4	SHW-011	3L3-F NYLINER
20	2	SHW-016	6-32x1/4 LG HEX SOCKET CAP SCREW
21	2	SHW-038	6-32 THIN NYLOCK
22	2	SHW-052	4-40x1/8 LG SLOT PAN HEAD SCREW
23	2	SHW-057	8-32x1/4 LG HEX SET SCREW
24	1	SHW-097	6-32x1/2 LG SLOT PAN HEAD SCREW
25	16	SHW-098	6-32x1/8 LG HEX SET SCREW
26	2	SHW-099	4-40x3/16 LG HEX SOCKET CAP SCREW

8 7 6 5 4 3 2 1

DESIGNED MM/RD	DATE (YYYY.MM.DD) 2002.11.08	CHECKED MM	DATE (YYYY.MM.DD) 2002.11.08	APPROVED MM	DATE (YYYY.MM.DD) 2002.11.08
 <p>UNLESS OTHERWISE SPECIFIED: DIMENSIONS ARE IN INCHES</p> <p>TOLERANCES: FRACTIONAL ±1/64 ANGULAR ±0.1° TWO PLACE DECIMAL ±0.01 THREE PLACE DECIMAL ±0.005</p>		TITLE 3.5" ANGLE HEAD ASSY			REV
		DWG. NO. AH-00-3.5			A
THIS DRAWING CONTAINS PROPRIETARY INFORMATION THAT IS NOT TO BE DISCLOSED TO OTHERS OR USED IN PRODUCTION OR IN ANY OTHER MANNER WITHOUT PRIOR WRITTEN CONSENT OF NORTHSTAR TOOL CORPORATION. NORTHSTAR TOOL CORPORATION PRODUCTS AND DESIGNS ARE PROTECTED BY VARIOUS PATENTS AND PATENTS PENDING.		MATERIAL N/A	SCALE: 1:1		
		FINISH N/A	SIZE: B	UNITS: IN	SHEET 1 OF 1