

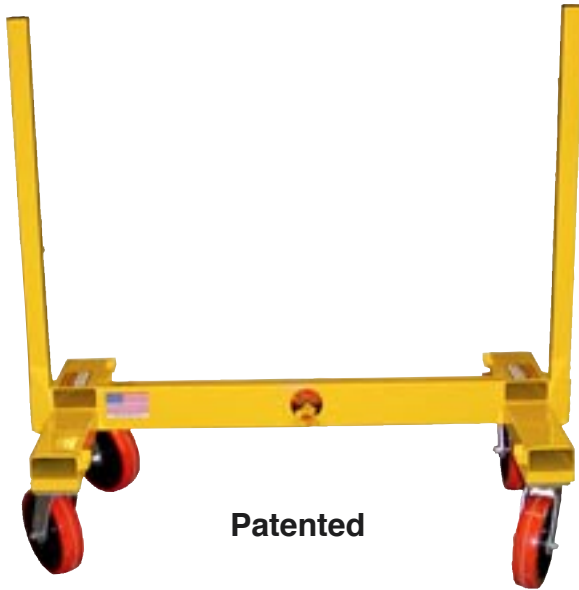


The Troll

MATERIAL HANDLING CART

MADE IN THE USA BY **Telpro Inc.** GRAND FORKS ND
PATENT COVERED BY ONE OR MORE OF THE FOLLOWING (PATENT PENDING / 6,032,966)

Model 1361 Operator's Manual



**PROUDLY MADE
IN THE U.S.A.**



© Telpro Inc. Form #42-13-00-00.3-04-03

Telpro Inc.

7251 So. 42nd Street
Grand Forks, ND 58201
Phone 1-800-448-0822
Fax 1-800-474-9993

To our valued customers:

Thank you for choosing the The Troll® Cart model 1361. We are pleased that we are able to provide equipment to make your work easier.

Our efforts are focused on producing the finest quality equipment of which we are capable. We know that extra time and effort spent on our part to design and produce a high quality finished product will mean time and effort saved on your part when you use it. This is important to us.

Foundational to all of our work at Telpro Inc. is the fact that God is our creator. It is our desire to honor Him in our work and business relationships. We are able to provide equipment to ease only your physical labor. But Jesus said, "Come to me, all you who are weary and burdened, and I will give you rest. Take my yoke upon you and learn from me, for I am gentle and humble in heart, and you will find rest for your souls. For my yoke is easy and my burden light."

Jesus also said, "I have come that they might have life, and have it to the full." The Apostle Peter said, "Salvation is to be found through him alone; in all the world there is no one else whom God has given who can save us...Leave all your worries with him because he cares for you."

Thank you again for giving us the opportunity to work with you. Any questions or comments that you may have regarding our equipment or company are always welcome.

Telpro Inc.



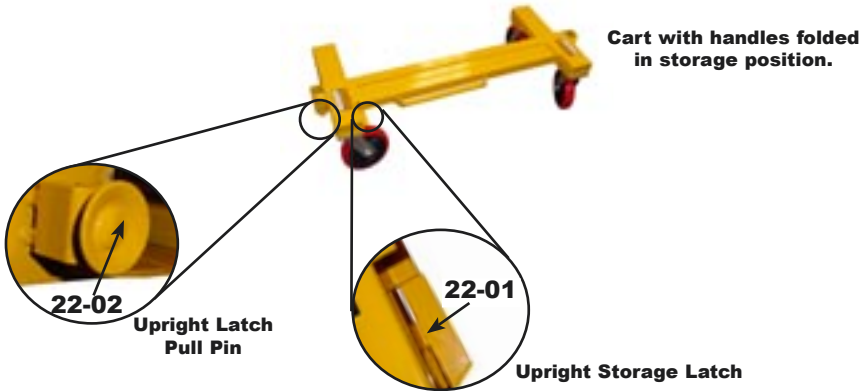
**How many ways can you use
your Troll® Cart?**



Front View



Back View



Cart easily converts into a flatbed by placing the upright tubes in the front and rear storage trays.



Parts Index

<u>Part #</u>	<u>Description</u>
22-01	Upright Storage Latch
22-02	Upright Latch Assembly
22-03	Upright Tube
22-04	(3) 8" Swivel Casters w/ Fasteners
22-05	Upright End Cap
22-14	(1) 8" Locking Brake Caster

